

Instruction Sheet

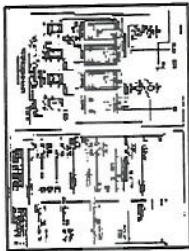
16007709

This instruction sheet is to be used with:

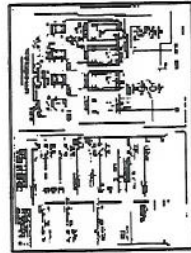
REPAIR PART NO.: 12001280

DESCRIPTION: DUAL ELEMENT KIT

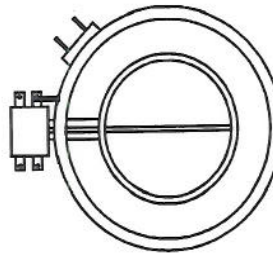
Kit Includes:



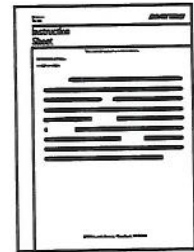
(1) 15001733
Wiring Diagram



(1) 15001734
Wiring Diagram



(1) 71002168
Dual Element

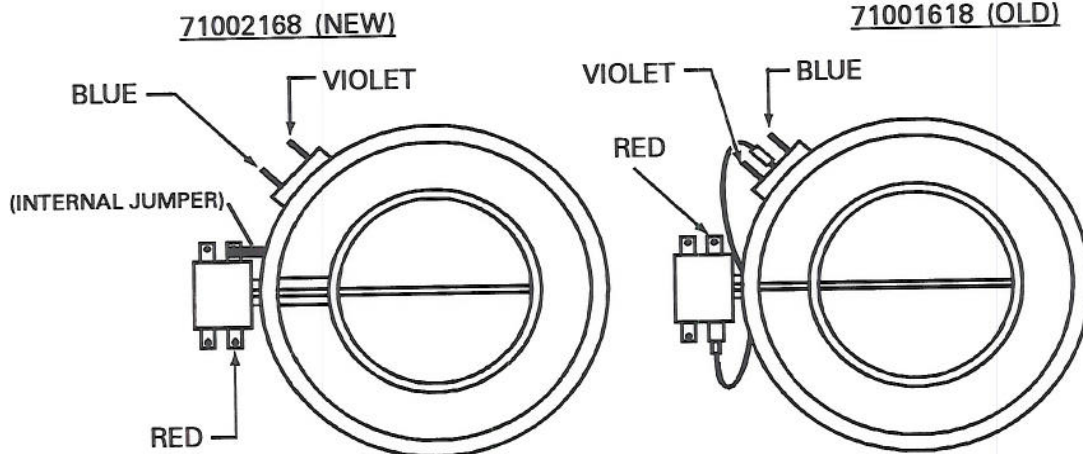


(1) 16007709
Instruction Sheet

The dual element has been revised to improve performance and reliability. The change required the need to relocate the supply terminals to the inner coils of the element. Following is the instructions for replacement of the revised element.

Disconnect electrical power to the unit.

1. Remove knobs from infinite switches.
2. Remove cooktop from counter top and place on protective pad on counter top next to opening.
3. Remove 1/4" screws from perimeter trim, lift trim and glass from the burner box.
4. Install new dual element.
5. Attach wiring to element following new wiring diagram from this kit. (See drawing).
6. Remove existing wiring diagram and discard, replace with new wiring diagram. Diagram is located on bottom of burner box in a plastic, adhesive backed, bag.
7. Model # CCE3400B/W uses part # 15001733 (209933). Model # CCE3531B/W uses part # 15001734 (209934).
8. Reassemble unit by reversing the above steps.



Issued: 01/96