

6540S0001 Replacement Module Installation Instructions



WARNING! Electrical Shock Hazard

To avoid risk of electrical shock, personal injury or death; disconnect electrical power before servicing.



If you receive a Harper-Wyman Kool-Lite module that is white in color follow the instructions below. If not, turn page over and follow those instructions.

This module is intended for use by qualified service personnel.

WARNING: Always disconnect all power to the range before servicing.

This module will replace any original Harper 6526/6540 series module; all Gxxxx models in this series are identical.

Installation Instructions

Mark all leads as they are removed from the original module so they can be correctly reconnected to the replacement module. See wiring diagram below.

For proper operation:

1) All leads must be reconnected to the new module EXACTLY as originally installed.

NOTE: On Model 6526, Reig terminals #9-12 are reversed. Reverse the wires as follows:

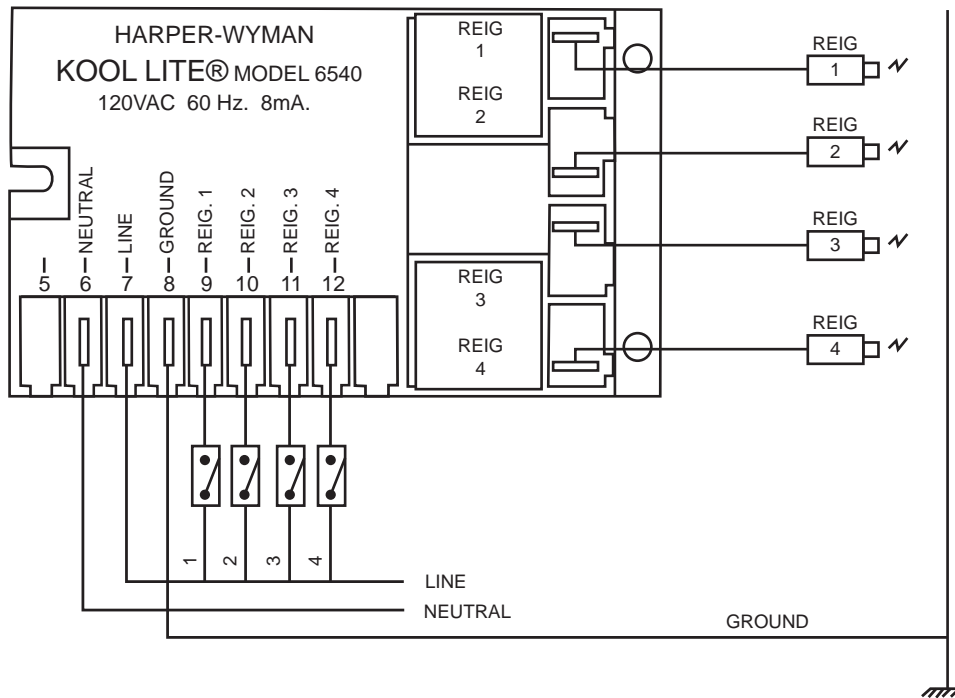
6526 #9 to 6540 #12

6526 #10 to 6540 #11

6526 #11 to 6540 #10

6526 #12 to 6540 #9

2) All receptacles must fit the corresponding tabs tightly enough to maintain good electrical contact, if the module is to function properly. If necessary, receptacle should be spread or crimped slightly to insure proper contact and good electrical continuity.



6540S0001 Replacement Module Installation Instructions



WARNING! Electrical Shock Hazard

To avoid risk of electrical shock, personal injury or death; disconnect electrical power before servicing.



If you receive a RV Model 09770170 module that is orange in color follow the instructions below. If not, turn page over and follow those instructions.

This module is intended for use by qualified service personnel.

WARNING: Always disconnect all power to the range before servicing.

This module will replace any original Harper 6526/6540 series module; all Gxxxx models in this series are identical.

Installation Instructions

Mark all leads as they are removed from the original module so they can be correctly reconnected to the replacement module. See wiring diagram below.

For proper operation:

- 1) All leads must be reconnected to the new module EXACTLY as originally installed.
- 2) All receptacles must fit the corresponding tabs tightly enough to maintain good electrical contact, if the module is to function properly. If necessary, receptacle should be spread or crimped slightly to insure proper contact and good electrical continuity.

